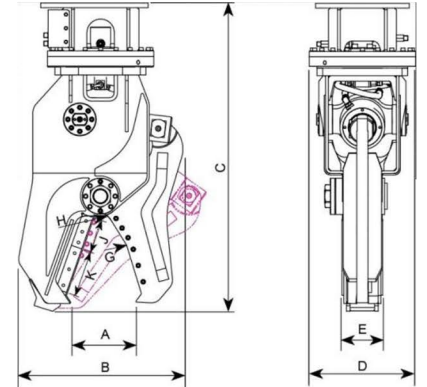


# SH SERIES MINI SCRAP AND DEMOLITION SHEARS

Mini demolition and scrap shear for processing metal at recycling facilities, demolition sites, etc. Specifically designed for cutting various types of pipe, extrusion, heavy gauge cable, cutting steel in concrete, and more....

- Lightweight design suitable for skid loaders, compact or mini excavators
- Trunnion mounted cylinder for compact design
- Simple gap adjustment system for maintenance in the field
- High strength and wear resistance materials (Hardox) for durability
- Also available: mini concrete crushers and grapples



Description	units	SH020R-S	SH030R-S	SH040R-S	SH050H-S	SH050H-SD
Weight	lb	419	639	882	1,102	1,190
Max Opening Width	A in	8.1	9.1	10.6	11.4	17.0
Overall Width	B in	18.8	22.2	28.0	28.3	31.1
Overall Length	C in	37.4	44.4	48.9	53.4	53.4
Overall Height	D in	11.4	13.8	15.9	18.3	18.3
Body Width	E in	5.2	5.7	5.7	7.1	9.1
Crushing Force	F US ton	-	-	-	-	37 (@ 3,500psi)
Cutting Force	G US ton (@ 3,000psi)	34 (@ 3,000psi)	48 (@ 3,000psi)	61 (@ 3,000psi)	78 (@ 3,500psi)	57 (@ 3,500psi)
	H US ton (@ 3,000psi)	67 (@ 3,000psi)	119 (@ 3,000psi)	79 (@ 3,000psi)	188 (@ 3,500psi)	88 (@ 3,500psi)
	I US ton	-	-	182 (@ 3,000psi)	-	188 (@ 3,500psi)
Cutter Length	J in	3.9	4.9	4.9	5.9	9.7
	K in	3.9	5.9	-	7.9	-
Allowable Max. System Pressure	psi	4,000	4,000	4,000	4,300	4,300
Swing Motor Setting Pressure	psi	-	-	-	-	1,100
Recommended Oil Flow	Cylinder	gpm	5.3 ~ 11.9	7.9 ~ 19.8	7.9 ~ 23.8	13.2 ~ 23.8
	S / Motor	gpm	-	-	-	2.6 ~ 4.0
Rotating	-	Free				Hydraulic
Recommended Carrier Weight	lb	3,300 ~ 6,600	5,500 ~ 11,000	7,700 ~ 17,600	9,900 ~ 17,600	9,900 ~ 17,600

\* Above specifications are subject to change without prior notice.



Since 1919



GENSCO AMERICA, INC

5307 Dividend Dr., Decatur, Georgia 30035 • Tel: 770 808-8711 • Fax: 770 808-8739

GENSCO EQUIPMENT (1990) Inc

53 Carlaw Ave., Toronto, Canada M4M 2R6 • Tel: 416 465-7521 • Fax: 416 465-4489

email: [info@genscoequip.com](mailto:info@genscoequip.com) • [www.genscoequip.com](http://www.genscoequip.com)



**ACROSS USA 800 268-6797**