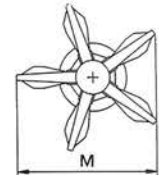
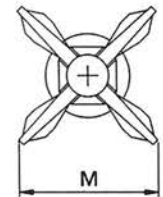
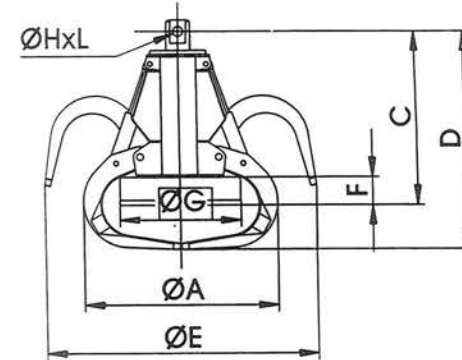


COMBINATION HYDRAULIC GRAPPLES WITH MAGNET

Since 1919

GENSCO

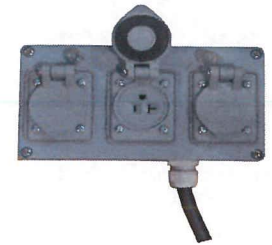


MODEL	NO. OF TINES	GRAPPLE				MAGNET			TOTAL SYSTEM WEIGHT LBS	WEIGHT W/ HYD ROTATOR LBS	DIMENSIONS +/- 1/2"						REC. EXCAV. WEIGHT (MT. TONS)
		SIZE CU YRDS	PRESSURE PSI (MAX)	FLOW GPM (MAX)	WEIGHT LBS	SIZE DIAM. INCHES	KW AT 230V D.C.	WEIGHT LBS			ØA	C	D	ØE	F	M	
MGL/5-40	5	0.5	4350	56	2180	33	2.5	770	2950	3260	54	54	73	90	7.1	84	15-26
MGL/5-60	5	0.75	4350	56	2245	36	3.5	1235	3480	3785	60	56	77	97	8	91	18-33
MG/4-80	4	1	4350	58	3465	41	5.5	1785	5250	5665	69	65	85	104	10	76	23-40
MG/4-100	4	1.3	4350	58	3620	45	7	2365	5985	6405	73	66	83	111	11	83	23-40
MG/4-150	4	2	4350	74	4215	49	9	2970	7185	7600	80	71	89	110	11	82	28-50

DYNASET HYDRAULIC DRIVEN MAGNET POWER & CONTROL SYSTEMS



on board electrical sockets



external electrical sockets

MODEL	ELECTRIC POWER	AUX A/C SOCKETS	FLOW		PRESSURE		WEIGHT		DIMENSIONS +/- 1/2 Inch/mm		
	MAX kW	110V / 1/60	GPM	LPM	MAX/MIN PSI	MAX/MIN BAR	LBS	KG	WIDTH	LENGTH	HEIGHT
HMG 6 kw 220VDC-33	6	On Board	10	36	2755/3625	250/190	108	49	14/365	19/475	12/310
HMG 10 kw 220VDC-48	10	On Board	13	51	2755/3625	250/190	138	63	15/390	19/485	14/360
HMG 12 kw 220VDC-57	12	External	17	64	2755/3625	250/190	154	70	15/390	21/540	14/360
HMG 15 kw 220VDC-62	15	External	18	67	2755/3625	250/190	243	110	17/430	31/790	18/450
HMG 20 kw 220VDC-86	20	External	24	92	2755/3625	250/190	353	160	20/500	35/900	17/435
HMG 30 kw 220VDC-120	30	External	33	125	2755/3625	250/190	463	210	22/550	42/1070	24/600



Since 1919



GENSCO AMERICA, INC.

ACROSS USA 800 268-6797

5307 Dividend Dr., Decatur, Georgia 30035 • Tel: 770 808-8711 • Fax: 770 808-8739

GENSCO EQUIPMENT (1990) Inc

53 Carlaw Ave., Toronto, Canada M4M 2R6 • Tel: 416 465-7521 • Fax: 416 465-4489

email: info@genscoequip.com • url: www.genscoequip.com