



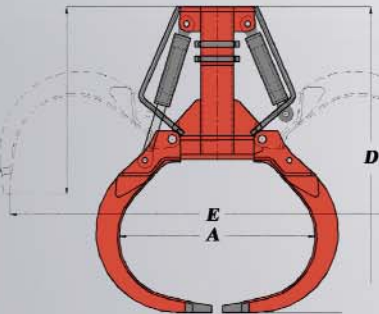
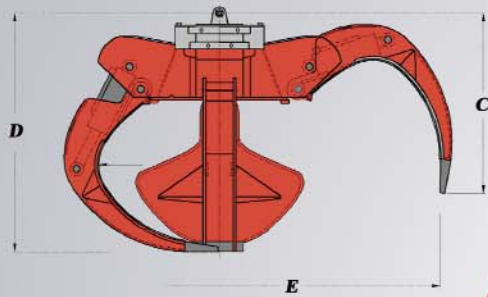
PM SERIES

OUTSTANDING HYDRAULIC GRAPPLES SUITABLE FOR A WIDE RANGE OF MATERIALS

PROVEN QUALITY AT REALISTIC PRICES

5 OR 6 INDIVIDUALLY ACTING CYLINDERS / TINES MOVE INDEPENDENTLY GRABBING THE LOAD WITH FULL POWER REGARDLESS OF SHAPE.

SCRAP STEEL
NON FERROUS
LOOSE TIN
WHITE GOODS
MUNICIPAL WASTE & GARBAGE
ROCK / COAL
GRAVEL / TIRES
BULK MATERIALS
AUTO WRECKERS,
BULK MATERIALS
ETC



P3M

P4M

P7M

Model	Size cu. yds.	No. Tines	MAX PSI	MAX GPM	Weight LBS	Dimensions (+/- 1/2 inch)				Recommended Excavator Weight
						A	C	D	E	
P3M - 5	0.35	5	3200	16	640	44	22	30	62	2 - 10 tons
P3M - 6	0.35	6	3200	16	660	44	22	30	62	2 - 10 tons
P4M - 6	0.5	6	3200	16	950	50	24	34	70	6 - 12 tons
P7M - 5	0.6	5	3600	26	1475	50	42	67	86	9 - 16 tons



* Weights and dimensions do not include rotator or connecting link
All Specifications subject to change without notice.

Since 1919

GENSCO

GENSCO AMERICA, INC.

5307 Dividend Dr., Decatur, Georgia 30035 • Tel: 770 808-8711 • Fax: 770 808-8739

GENSCO EQUIPMENT (1990) Inc

53 Carlaw Ave., Toronto, Canada M4M 2R6 • Tel: 416 465-7521 • Fax: 416 465-4489

email: info@genscoequip.com • url: www.genscoequip.com

ACROSS USA 800 268-6797