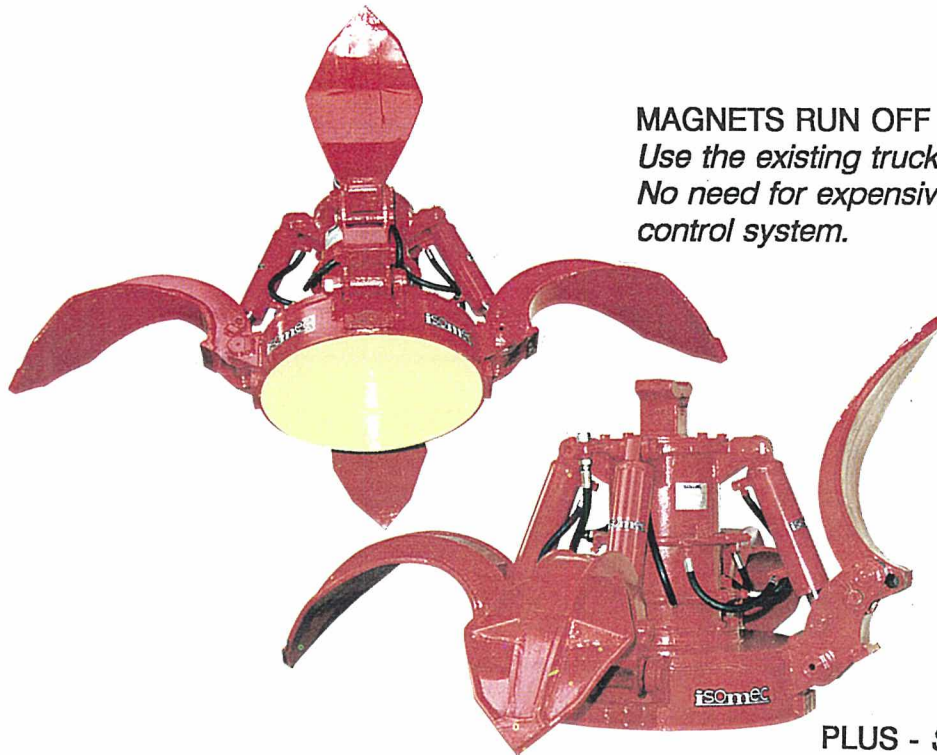


GENSCO

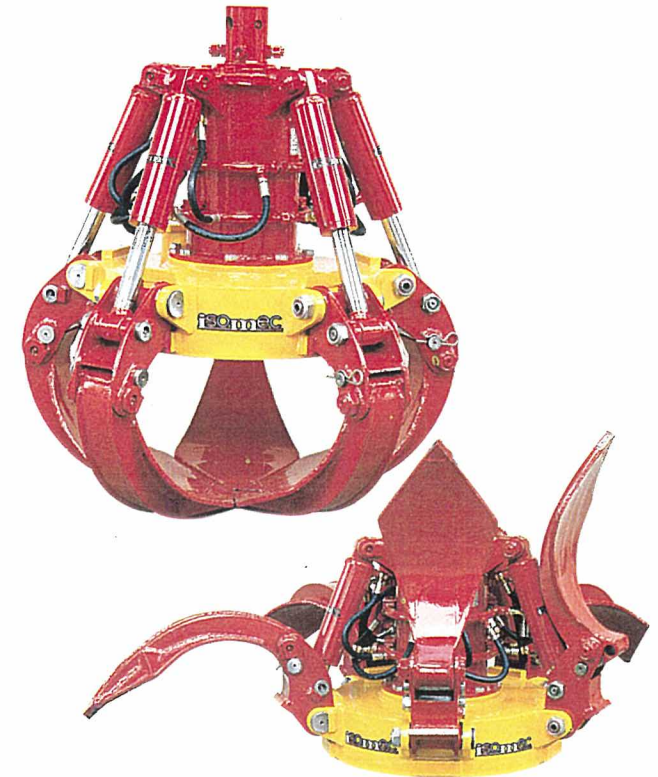
GRAPPLES FOR SCRAP HANDLING

A series of specially designed combination grapples with magnets !

The perfect scrap handling tool for truck mounted cranes, small excavators, rubber tired loaders and wherever hydraulic power is available.



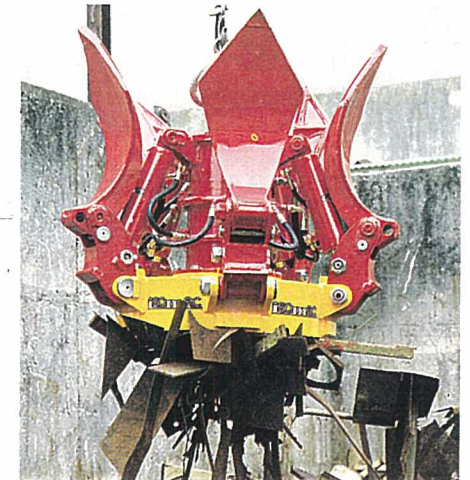
MAGNETS RUN OFF 24 VOLTS D.C.
*Use the existing truck or crane battery !
No need for expensive generators and control system.*



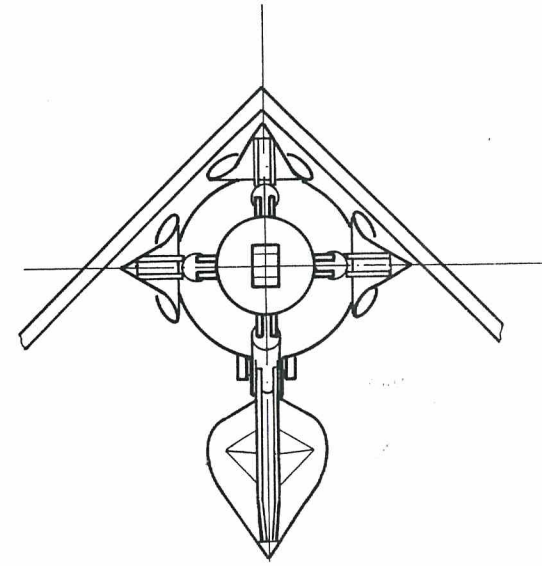
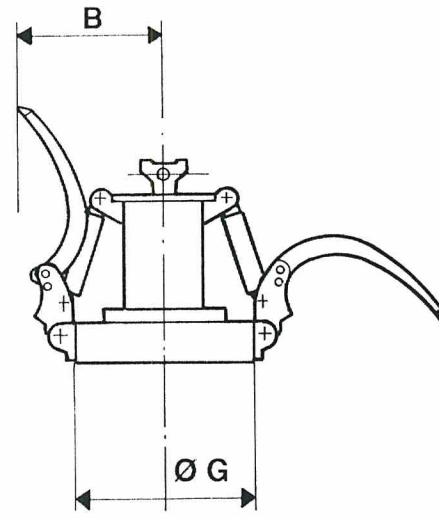
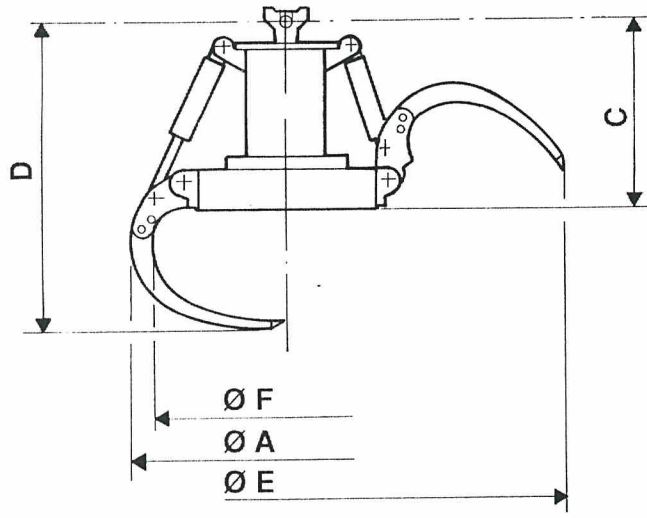
ANOTHER INNOVATIVE PRODUCT FROM

GENSCO

PLUS - Specially designed tines fold-up and tuck away when not in use, allowing the magnet to reach into the corners of a truck for full cleaning.



SERVING THE SCRAP INDUSTRY SINCE 1919.



MODEL	SIZE and TYPE CUBIC YARDS	HYDRAULICS MAX PSI and GPM		WEIGHT in lbs.	MAGNET SIZE and ELECTRICS			DIMENSIONS (+/- 1/2")						
								A	B	C	D	E	F	G
PH/4-25	.35 with 4 Tines	3595	16	905	24"	24 Volt	500 Watts	40"	17"	21"	41"	73"	33"	24"
PH/4-40	.50 with 4 Tines	3595	16	1280	24"	24 Volt	500 Watts	46"	20"	23"	48"	88"	38"	24"
PH/5-25	.35 with 5 Tines	3595	18	970	24"	24 Volt	500 Watts	40"	17"	21"	41"	73"	33"	24"
PH/5-40	.50 with 5 Tines	3595	18	1390	24"	24 Volt	500 Watts	46"	20"	23"	48"	88"	38"	24"

Dimensions are +/- 1/2". Specifications subject to change. Rotators are not included in dimensions or weight.



" Serving Industrial Markets
since 1919 "

Call Toll Free in the USA 1-800-268-6797
www.genscoequip.com
Email us: info@genscoequip.com