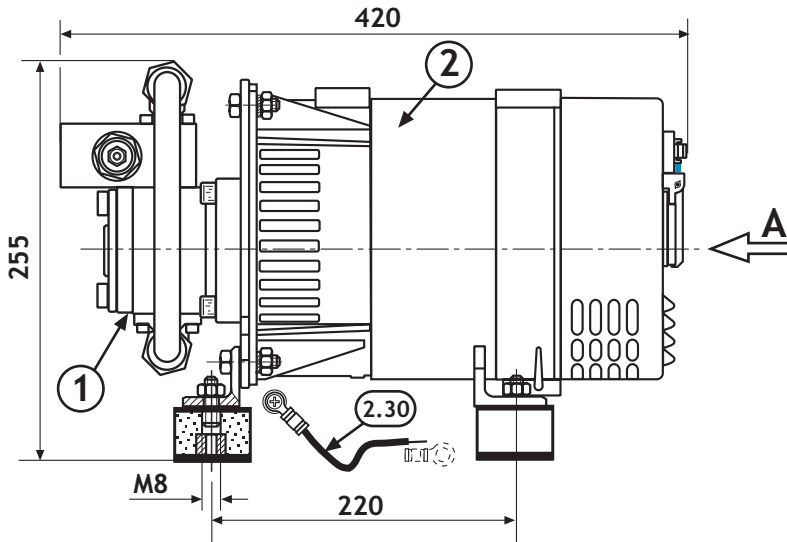
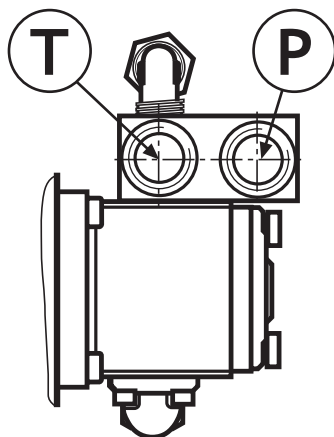
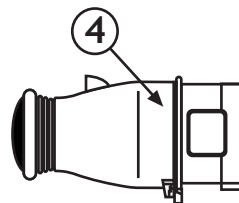
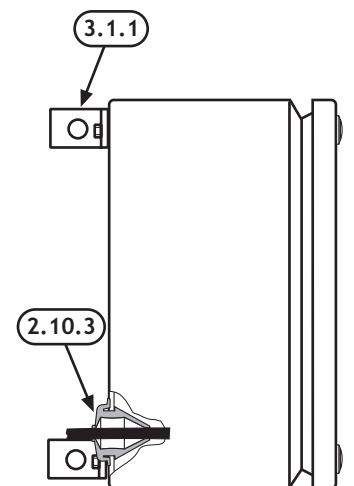
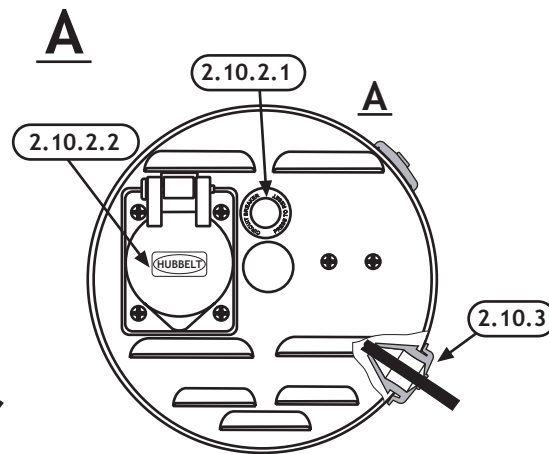
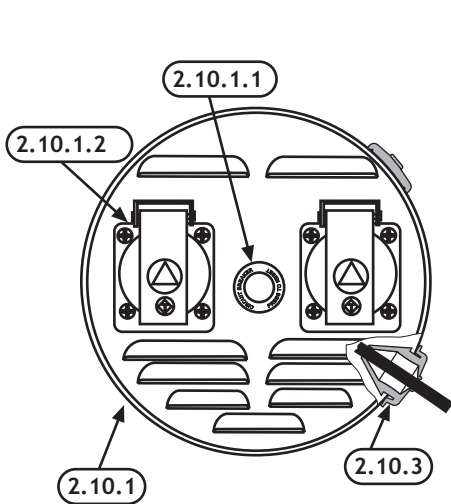
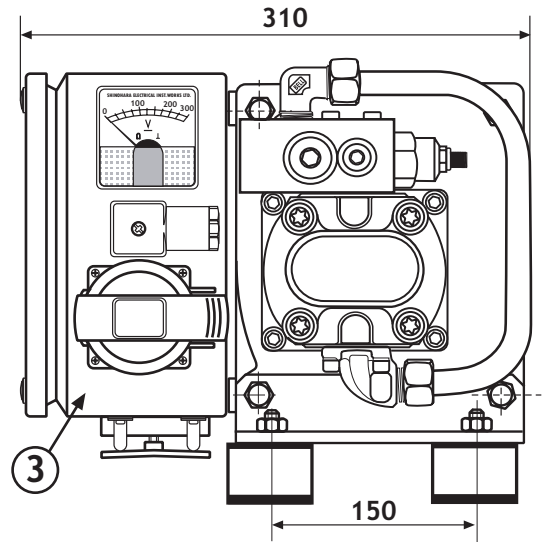


OUTLINE DIMENSIONS

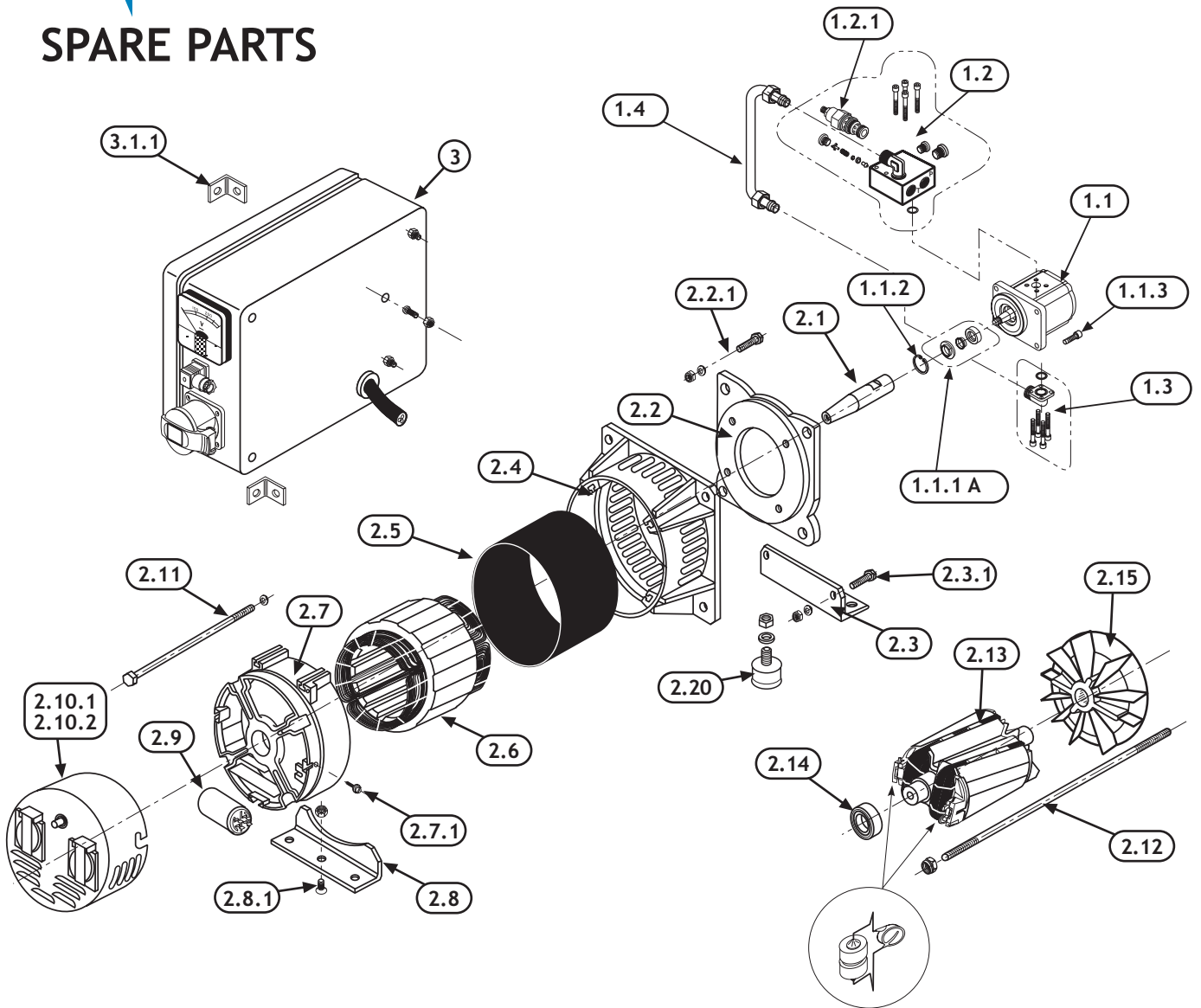


SPARE PARTS

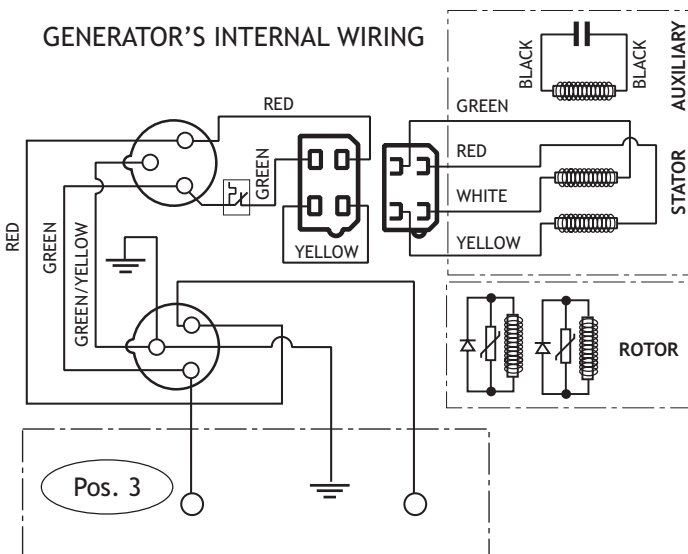


MODEL	HYDRAULIC PORTS	
	PRESSURE	RETURN
HMG 3 kW 220 VDC-17 PCI	P	T
	BSP 1/2"	BSP 1/2"

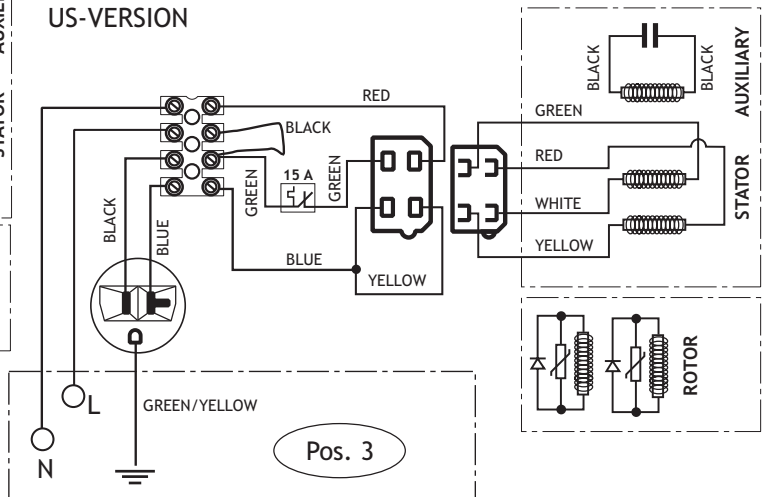
SPARE PARTS



GENERATOR'S INTERNAL WIRING

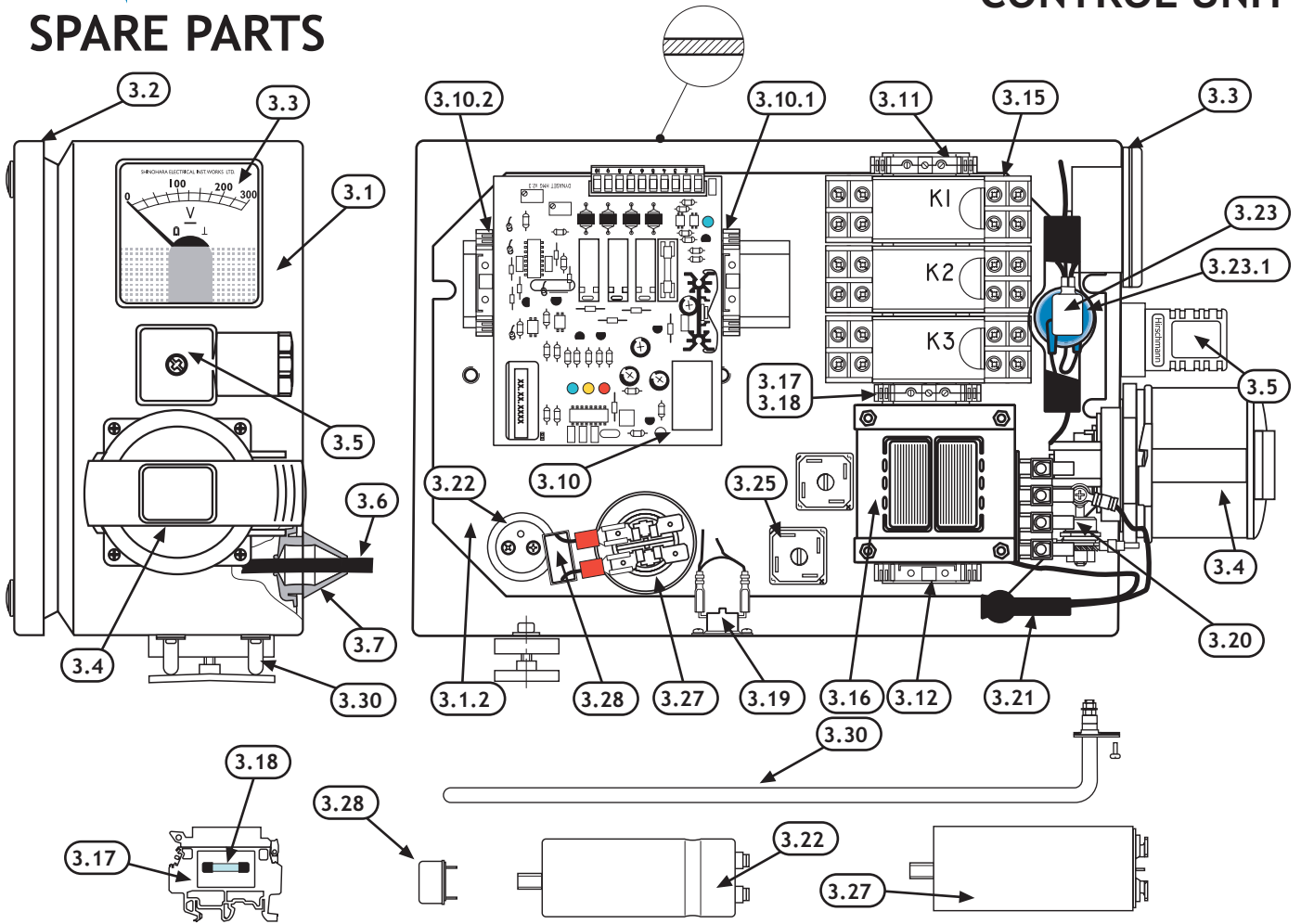


GENERATOR'S INTERNAL WIRING
US-VERSION



CONTROL UNIT

SPARE PARTS



24V control voltage
indicator LED

fuse 6,3 A

PCI CONTROL CARD

malfunction indicator
LED

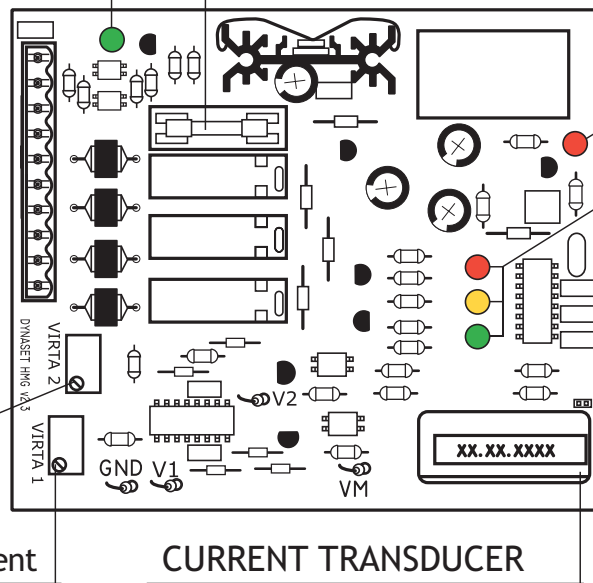
indicator LEDs

contactors K1, K2, K3

- impulse button
- solenoid + 24V
- + 24V
- 24 VDC "-" ground
- contactor earth contact
- capacitor -
- capacitor +
- contactor 1 + 24V
- contactor 2 + 24V
- contactor 3 + 24V

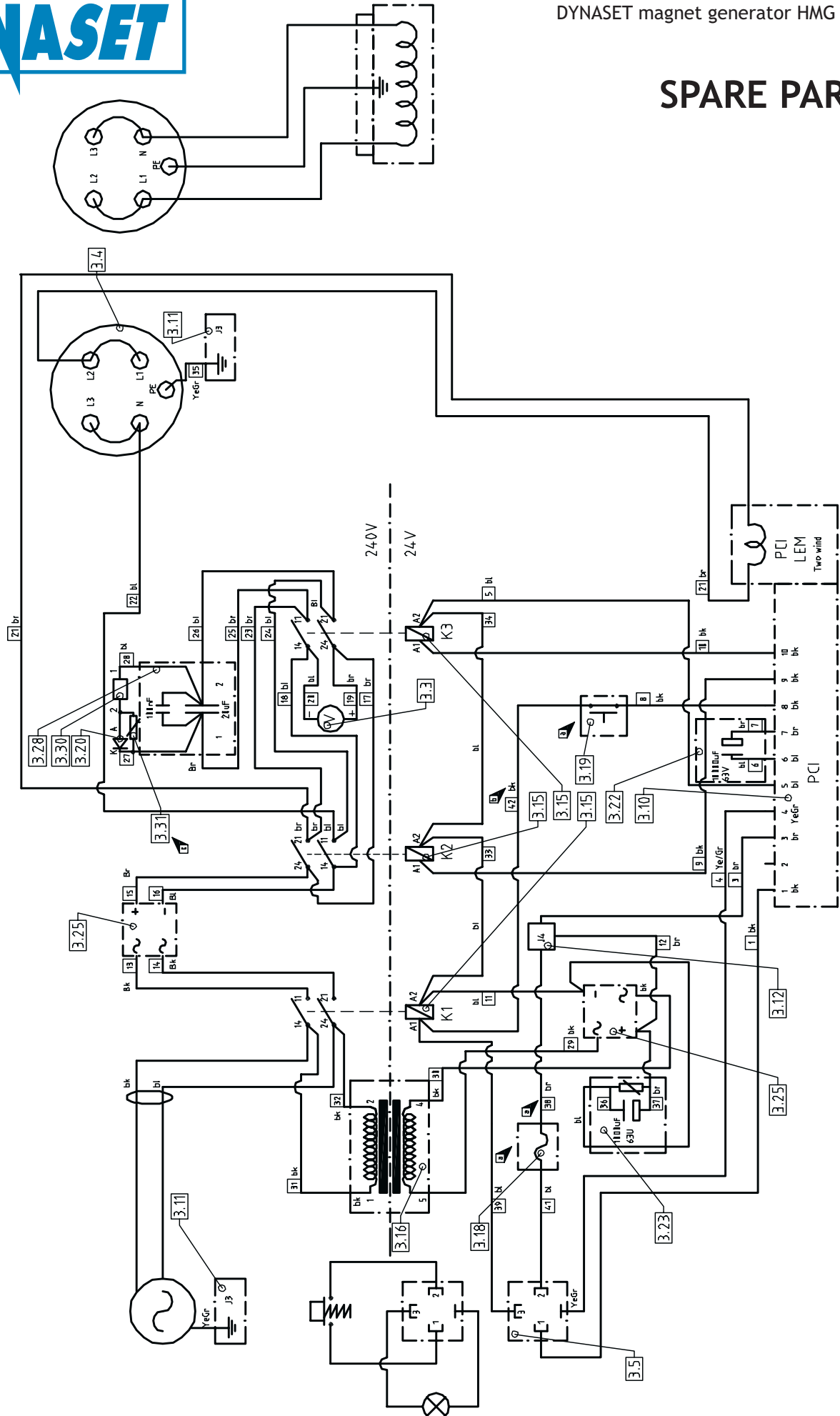
demagnetisation
current adjustment

Contactor K2
release current adjustment



CURRENT TRANSDUCER

SPARE PARTS





SPARE PARTS

No	PART NUMBER	DESIGNATION	DETAILS	QUANTITY
1		HYDRAULIC MOTOR ASSEMBLY		
1.1		HYDRAULIC MOTOR	5.5	1
1.1.1		SHAFT SEAL, COMPLETE	17x30	1
1.1.2		LOCKING RING	30	1
1.1.3		ALLEN SCREW	M8X20	4
1.2		RPM-VALVE BLOCK, COMPLETE		1
1.2.1		RPM-CARTRIDGE	17	1
1.3		RETURN LINE PORT, COMPLETE		1
1.4		RETURN PIPE ASSEMBLY, COMPLETE		1
2		ALTERNATOR ASSEMBLY		
2.1		HG CONE COUPLING	3.5 k	1
2.2		HG FLANGE	MA 3.5k	1
2.2.1		HEX SCREW M8x16 + NUT M8 + LOCK WASHER		4 + 4 + 4
2.3		HG FRONT MOUNT		1
2.3.1		HEX SCREW M8X25 + NUT + LOCK WASHER		4 + 4 + 4
2.4		FRONT BODY		1
2.5		STATOR SHELL	3.5	1
2.6		STATOR ASSEMBLY	3.5	1
2.7		REAR BODY		1
2.7.1		SCREW 5x19		2
2.8		HG REAR MOUNT		1
2.8.1		COUNTERSUNK SCREW M8x16 + NUT M8		1 + 1
2.9		CAPACITOR	20 uF	1
2.9.1		CLAMPING STRAP		1
2.10.1		END COVER, COMPLETE	EU	1
2.10.2		END COVER, COMPLETE	US	1
2.10.1.1		CIRCUIT BREAKER	16A (EU)	1
2.20.2.1		CIRCUIT BREAKER	15A (US)	1
2.10.1.2		SOCKET 16A 230V	SHUKO	2
2.10.2.2		SOCKET 25A 125V	US	1
2.10.3		CABLE GROMMET	10-14 IP6	2
2.11		BOLT	3.5	4
2.11.1		LOCK WASHER		4
2.12		STUD	3.5	1
2.12.1		NUT	M8 NYLOCK	1
2.13		ROTOR ASSEMBLY	3.5	1
2.13.1		DIODE		2
2.13.2		VARISTOR		2
2.14		REAR BEARING		1
2.15		FAN		1
2.15.1		SCREW	4x20	1
2.20		RUBBER CUSHION	40/30 M8	4
2.20.1		NUT	M8 NYLOCK	4
2.30		GROUNG WIRE	max. 30 cm	1
3		CONTROL UNIT	3 kW PCI	
3.1		CABINET, COMPLETE	300x200x120	1
3.1.1		LUG		2
3.1.2		COMPONENT CHASSIS / COOLER	3 kW PCI	1
3.1.2.1		MOUNTING ACCESSORY KIT, COMPLETE		1 kit
3.2		LID WITH A GASKET, COMPLETE		1
3.3		VOLTMETER	300 VDC	1
3.4		SOCKET	3x16A+N+P	1
3.5		CONTROL CABLE CONNECTOR, COMPLETE	Hirschmann	1
3.6		CABLE, RUBBER INSULATION	3 x 0,25	0,75 m
2.10.3		CABLE GROMMET	10-14 IP6	1
3.10		PCI CONTROL CARD	HMG PCI	1
3.10.1		INTERLOCK, RIGHT	mod	1
3.10.2		INTERLOCK, LEFT	mod	2
3.11		PE-BRACKET		1
3.12		INTERLOCK	STD, J4	1
3.15		CONTACTOR	K1, K2, K3	3
3.16		TRANSFORMER	230/24	1
		BLOCK CONNECTOR		1
3.17		FUSE HOLDER		1
3.18		FUSE	T6,3A 5x20 mm	1
3.19		TEMPERATURE SWITCH	125 oC	1
3.20		DIODE	70HFL100S05	1
3.21		VARISTOR		1
3.22		CAPACITOR	10000uF 63V	1
3.23		CAPACITOR	1000 uF 63V	1
3.23.1		VARISTOR		1
3.25		DIODE BRIDGE	36MB140 (160)	2
3.27		CAPACITOR	20uF	1
3.28		CAPACITOR, RF-1	100 nF	1
3.30		L-RESISTOR	26 Ohm /1000V	1
4		PLUG	3x16A+N+P	1
		WIRING KIT	NOT AVAILABLE SEPARATELY	