

> R55.1



> R55.2



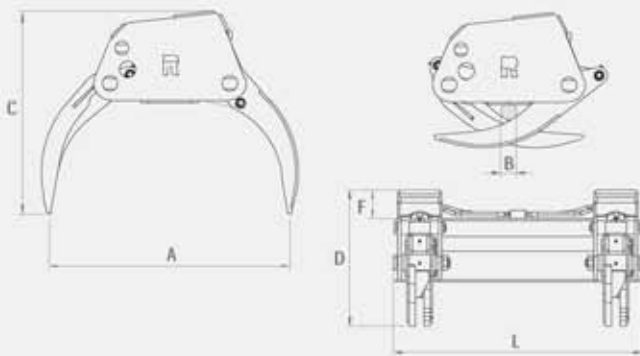
> R55.1



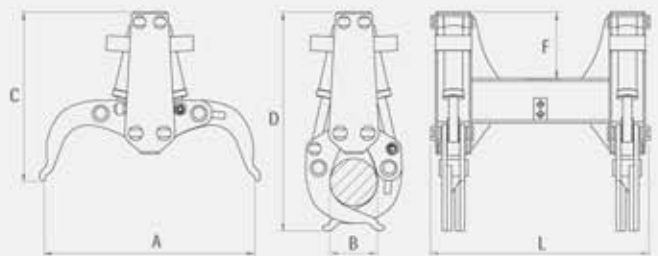
> R56



> R55.1



> R55.2 - R56



Model	Lifting capacity	Weight	Pressure	Oil flow	Sizes +/- 1/2 inch					
	ton	lbs	psi	g/m	A	B	C	D	L	F
R55.1	3.9	1015	4060	18	47	3	40	26	48	6
R55.2	5.5	1036	4060	32	45	10	35	46	47	14
R56	8.8	2822	4060	53	59	14	61	71	63	26